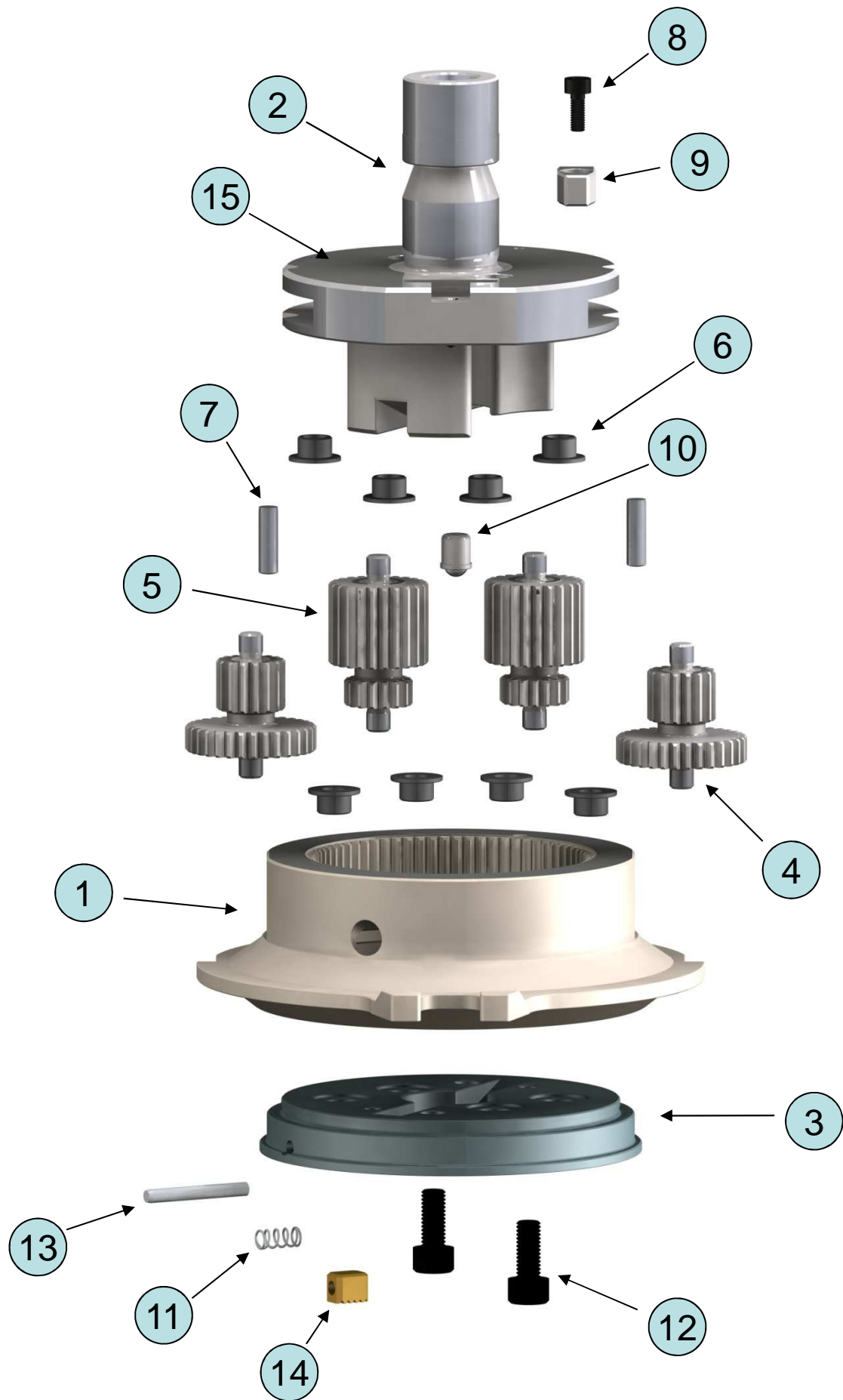




Part # : 26382

Description : Group I M2.5 – M5 Type 1  
Tapping Tool Punch Assembly





Item #	Part #	Description	Qty	sell	*
1	26396	TRUMPF TAPPING TOOL GROUP I M2.5-M10 GEAR WHEEL	1	SAP	*
2	26392	TRUMPF TAPPING TOOL M2.5-M5 PUNCH BODY	1	SAP	
3	26394	TRUMPF TAPPING TOOL M2.5-M5 FRONT PLATE	1	SAP	
4	26400	TRUMPF TAPPING TOOL 30MM LONG M2.5-M5 GEAR	2	SAP	*
5	26401	TRUMPF TAPPING TOOL 36.5MM LONG M2.5-M5 GEAR	2	SAP	*
6	26433	TRUMPF TAPPING TOOL GEAR BUSH	8	SAP	*
7	24382	M4 x 14mm LONG DOWEL	2	SAP	
8	24396	M3 x 8mm Lg S.H.C.S.	1	SAP	*
9	25902	LOCATION KEY	1	SAP	*
10	25907	SPRING PLUNGER	1	SAP	*
11	24074	LC 018B-3 MW LEE SPRING		SAP	
12	25229	M5 x 12mm Lg S.H.C.S.	2	SAP	*
13	24401	Ø 3mm x 24mm LONG DOWEL	1	SAP	
14	26447	QUICK RELEASE BUTTON	1	SAP	
15	25906	Grease Nipple	2	SAP	*

- Item 8, Gear bush also available in Ampco as problem solver part # 26433-1
- \* in far right column identifies compatible part with Trumpf GmbH assembly.